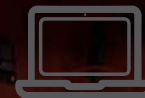




Leading range :
livestock, spreading, transport

Livestock
equipment



www.jeantil.com

For more than 4 generations, Jeantil has designed and built machineries dedicated to agriculture and livestock.

Trailblazer in the realm of precision spreading, self-regulated bale unrolling, slurry disc injectors, its know-know is now widely recognized in France as well as abroad.

Jeantil also means constant innovation, building French high quality products, high precision technology dedicated to reliable and efficient mechanics.

Jeantil, the **specialist** in livestock equipment

Jeantil has been committed for a long time in technical progress and guarantees you precision, regularity and care of the products with its whole range of livestock equipment.



| | | D 1650, 2000 and 2400 | DM 12L, 16 and 18 | PR 2000 | PR/DPR 4000 | PR/DPR 6000 PR 8000 | PR 10000 |
|----------------------------|--------------|-----------------------------------------------------------------------------------------------------|---------------------------------------------------------------------------------------------------------------------------------------------------------|-----------------------------------------------------------------------------------------------------------------------------------|--------------------------------------------------------------------------------------------------------------------------------------|-------------------------------------------------------------------------------------------------------------------------------|-------------------------------------------------------------------------------------------------------------------------------|
| | | - 1 hydraulic shredder - automatic door opening - 2-chain moving floor - electric controls | - 2 mechanical shredders - right- or left-hand side distribution belt - 2-chain moving floor - direct controls on tractor or electric controls | - 1 mechanical shredder - multifunctional chute - 2-chain moving floor - direct controls on tractor or electric controls | - 1 mechanical or hydraulic shredder - multifunctional chute or direct discharge - 2-chain moving floor - electric controls | - 2 hydraulic shredders - multifunctional chute or direct discharge - 2-chain moving floor - SMART electric controls | - 3 hydraulic shredders - multifunctional chute or direct discharge - 2-chain moving floor - SMART electric controls |
| Silage | Maize | +++ | +++ | +++ | +++ | +++ | +++ |
| | Grass | ++ | ++ | ++ | ++ | +++ | +++ |
| Straw | Round bales | | | +++ | +++ | +++ | +++ |
| | Square bales | | | +++ | ++ | +++ | +++ |
| Hay | Round bales | | | +++ | +++ | ++ | ++ |
| | Square bales | | | ++ | ++ | ++ | ++ |
| | Bulk | | +++ | +++ | +++ | ++ | ++ |
| Wrapped bales short blades | Round bales | | | ++ | +++ | + | |
| | Square bales | | | + | + | | |
| Wrapped bales long blades | Round bales | | | ++ | +++ | + | |
| | Square bales | | | + | + | | |

Possible (please check with us) +
 Favourable ++
 Very favourable +++



PR 2000 the efficient straw blower even with wrapped bales



PR 2000

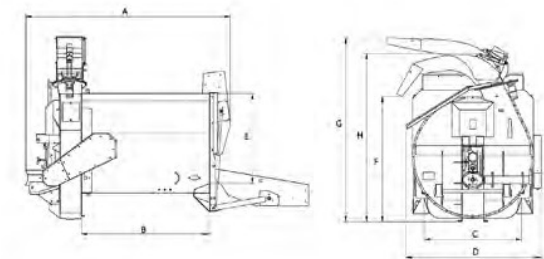
- useful volume 2 m³
- smooth and parabolic body, 1.35 m wide
- fixed multifunctional chute
- mechanical shredder with knives
- oil bath chain drive
- turbine with 8 dismountable paddles
- 2-speed gearbox (distribution and straw-blowing)
- 2 chains ø 12 mm hydraulic moving floor
- direct controls on tractor
- electric controls for the chute
- hydraulic rear door
- transmission with free wheel and friction safety device
- compliant with CE standards

Available options

- swivelling chute
- electric cap for the chute
- wheels and coupling
- electric divider (for direct controls)
- electric controls
- anti-projection flap
- road lights
- double controls for the rear door
- door extension, 0.45 or 1.00 m long



| | PR 2000 | PR 2000 semi-trailed |
|-----------------------------------|---------|----------------------|
| Volume (m ³) | 2,00 | 2,00 |
| Empty weight (kg) | 1380,00 | 1480,00 |
| A Overall length (m) | 2,70 | 3,82 |
| B Inside body length (m) | 1,70 | 1,70 |
| C Inside body width (m) | 1,35 | 1,35 |
| D Overall width (m) | 1,79 | 2,00 |
| E Inside body height (m) | 1,10 | 1,10 |
| F Minimum distribution height (m) | 1,22 | 1,45 |
| G Maximum distribution height (m) | 2,42 | 2,70 |
| H Overall height (m) | 2,83 | 2,98 |



PR 2000

PR 2000 the reference straw-blower

The PR 2000 is a 2 m³ capacity straw blower dedicated to livestock farmers who require a multi-purpose and easy-to-use straw blower, with direct controls on tractor or electric controls. Its mechanical shredder ensures a shredding quality with all products, even with wrapped bales.



High-performance shredder

The shredder with knives supplies the turbine with all types of products regularly. The mechanical drive ensures a high power shredding.

An innovative rear door

Rear door with 2 dual acting cylinders. V-designed door allowing to load a second round bale on stand-by. Extensions 0.45 or 1.00 m long available for square bales.



An accurate distribution and straw blowing

Multifunctional chute with electric controls. Cap with electric controls and swivelling chute are available to ensure distribution and straw blowing in all conditions.



Total mastering of straw blowing and distribution

Thanks to the BASIC electric controls, the straw blower is accurately controlled. Double controls for the rear door make the loading easier.

A regular unloading

2-chain belt with bolted slats.

A robust body

Smooth and rounded body which improves emptying and makes the machine more robust.

PR 4000 the high-performance straw blower



PR 4000

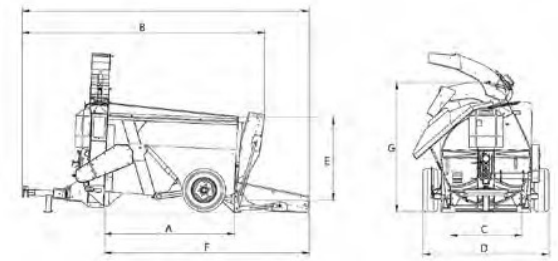
- useful volume 4 m³
- smooth and parabolic body, 1.35 m wide
- fixed multifunctional chute or direct discharge
- mechanical shredder with knives
- oil bath chain drive
- turbine with 8 dismountable paddles
- 2-speed gearbox (distribution and straw blowing)
- 2 chains ø 12 mm hydraulic moving floor
- electric controls
- pivoting or fixed drawbar with ring or clevis yoke
- hydraulic rear door
- transmission with free wheel and friction safety device
- compliant with CE standards

Available options

- swivelling chute
- electric cap for the chute
- electric distribution deflector
- 4 round regulation bars
- hopper for minerals (weighing as an option)
- hydraulic axle
- hydraulic shredder with SMART controls
- door extension, 0.45 or 1.00 m long
- wide angle transmission



| | | PR4000 SD | PR4000GM |
|---|------------------------------------------------------------|-----------|-----------|
| | Volume (m ³) | 4,00 | 4,00 |
| | Empty weight (kg) | 2840,00 | 2840,00 |
| A | Inside body length (m) | 2,29 | 2,29 |
| B | Overall length (m) | 3,91 | 3,91 |
| C | Inside body width (m) | 1,35 | 1,35 |
| D | Overall width (m) | 2,20 | 2,23 |
| E | Inside body height (m) | 1,26 | 1,26 |
| F | Inside body length - door opened (m) | 3,59 | 3,59 |
| | - door opened with 1m extension (m) | 4,48 | 4,48 |
| G | Overall height, chute folded up (hydraulic/fixed axle) (m) | 2,35 | 2,35/2,70 |



PR 4000

PR 4000 efficient even under harsh conditions

The PR 4000 is the reference straw blower. Available with multifunctional chute or with direct discharge, it will meet everyone's expectations for straw blowing as well as for distribution.



An innovative rear door

Rear door with 2 dual acting cylinders. V-designed door allowing to load a second round bale on stand-by. Extensions 0.45 or 1.00 m long available for square bales.



High-performance shredder

The shredder with knives supplies the turbine with all types of products regularly. The mechanical drive ensures a high power shredding.

An accurate distribution and straw blowing

Multifunctional chute with electric controls (GM) or right-hand side chute (SD). Cap with electric controls and swivelling chute are available to ensure distribution and straw blowing in all conditions.



Total mastering of straw blowing and distribution

Thanks to the BASIC electric controls, the straw blower is accurately controlled. Double controls for the rear door and the moving floor make the loading easier.



A regular distribution

2-chain belt with bolted slats.

A robust body

Smooth and rounded body which improves emptying and makes the machine more robust.



www.jeantil.com

PR 6000 - 8000 - 10000 high capacity straw blowing



PR 6000, 8000 and 10000

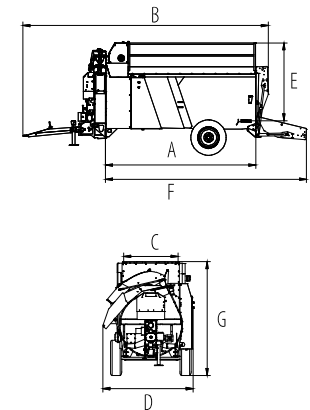
- useful volume 6, 8 and 10 m³
- smooth and parabolic body, 1.35 m wide
- fixed multifunctional chute or direct discharge
- 2 or 3 shredders with knives
- hydraulic drive of the shredders
- turbine with 8 dismountable paddles
- 2-speed gearbox (distribution and straw blowing)
- 2 chains ø 12 mm hydraulic moving floor
- SMART electric controls
- fixed drawbar with ring
- hydraulic rear door
- transmission with free wheel and friction safety device
- compliant with CE standards

Available options

- swivelling chute
- electric cap for the chute
- electric distribution deflector
- hopper for minerals (weighing system as an option)
- oil cooler in case of intensive use
- hydraulic axle (only for PR 6000)
- door extension, 0.45 or 1.00 m long
- wide angle transmission
- fixed drawbar on clevis yoke or articulated drawbar (only for PR 6000)



| | PR6000SD | PR6000GM |
|---------------------------------------------------------------|----------|-----------|
| Volume (m ³) | 6,00 | 6,00 |
| Empty weight (kg) | 3050,00 | 3050,00 |
| A Inside body length (m) | 3,06 | 3,06 |
| B Overall length (m) | 4,61 | 4,61 |
| C Inside body width (m) | 1,35 | 1,35 |
| D Overall width (m) | 2,27 | 2,30 |
| E Inside body height (m) | 1,26 | 1,26 |
| F Inside body length - door opened (m) | 4,30 | 4,30 |
| - door opened with 1m extension (m) | 5,19 | 5,19 |
| G Overall height with chute folded (hydraulic/fixed axle) (m) | 2,35 | 2,35/2,70 |



PR 6000
PR 8000
PR 10000

PR 6000 - 8000 - 10000 the straw blower for large herds

The PR 6000, 8000 and 10000 are straw blowers dedicated to large herds. Fitted with shredders hydraulically driven, they ensure an even shredding and distribution of all products.



An outstanding shredding power

The shredders with knives supply the turbine with all types of products regularly. The hydraulic drive ensures a high power shredding, besides you can choose between several distribution modes depending on the product.

Total mastering of straw blowing and distribution

Thanks to the SMART electric controls, the straw blower is accurately controlled and can manage a distribution mode for each kind of products. Double controls for the rear door and the moving floor make the loading easier.



An innovative rear door

Rear door with 2 dual acting cylinders. V-designed door allowing to load a second round bale on stand-by. Extensions 0.45 or 1.00 m long available for square bales.

An accurate distribution and straw blowing

Multifunctional chute with electric controls (GM) or right-hand side chute (SD). Cap with electric controls and swivelling chute are available to ensure distribution and straw blowing in all conditions.



A robust body

Smooth and rounded body which improves emptying and makes the machine more robust. Aluminium side extensions on PR 10000.

A regular distribution

2-chain belt with bolted slats.